

Name: _____

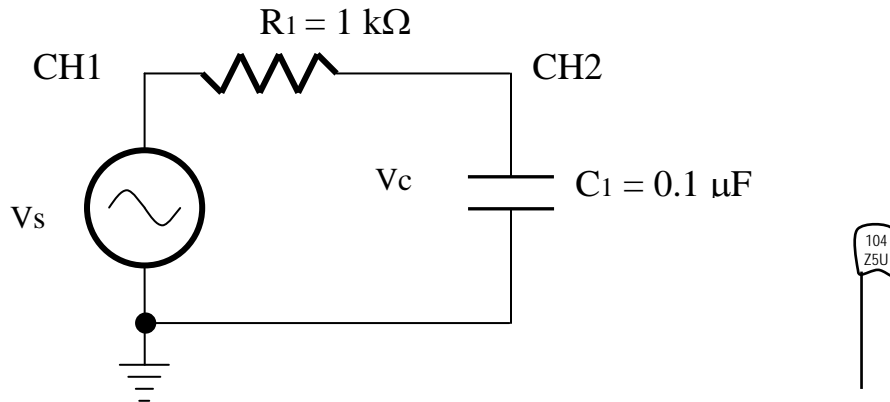
MUS 348 / EE 480

Spring 2010

Lab experience #4

Procedure

Use the function generator and the oscilloscope to observe simultaneously the source voltage (CH1) and the voltage across the capacitor (CH2).



Using a sine wave from the function generator with peak-to-peak amplitude of 2 volts, fill out the following table.

Frequency	CH1 Voltage V_s (p to p)	CH2 Capacitor Voltage (p to p)	Gain (V_c/V_s)
50 Hz	2 V		
100 Hz	2 V		
200 Hz	2 V		
500 Hz	2 V		
1 kHz	2 V		
2 kHz	2 V		
5 kHz	2 V		
10 kHz	2 V		
20 kHz	2 V		

How do you interpret the behavior of the circuit as a function of frequency?